

**Uplogix is the
most evolved
out-of-band solution
on the market**

CONTACT US

sales@uplogix.com
www.uplogix.com
877.857.7077

SYSTEM SPECIFICATIONS

System

- ▶ Management interfaces: Supports up to 8 devices via serial (RS-232); Two 10/100/1000 BaseT Ethernet interfaces (with failover support) and one RS-232 console port; One 1-Gbps SFP port
- ▶ On-board storage: 256GB NVMe supporting TCG Opal 2.0, 256-bit AES encryption
- ▶ Peripheral connectivity: One USB-A port, one USB-C port
- ▶ One option slot (RS232; V.92, cellular, and fiber cards available)

Dimensions and Weight

- ▶ Height, Width, Depth: 43 mm (1.7 in.) x 254 mm (10 in.) x 163 mm (6.4 in.); 1 rack unit (1RU)
- ▶ Weight: 1.2 kg (1.7 lbs.)

Operating Environment

- ▶ Power Supply: Internal universal power (100-240 VAC, 50/60 Hz); 30W
- ▶ Operating: 0° C to 45° C (32° F to 113° F) at mean sea level, 20% to 80% relative humidity, non-condensing
- ▶ Non-operating: -30° C to 60° C (-22° F to 140° F) at mean sea level, 90% relative humidity, non-condensing

Regulatory

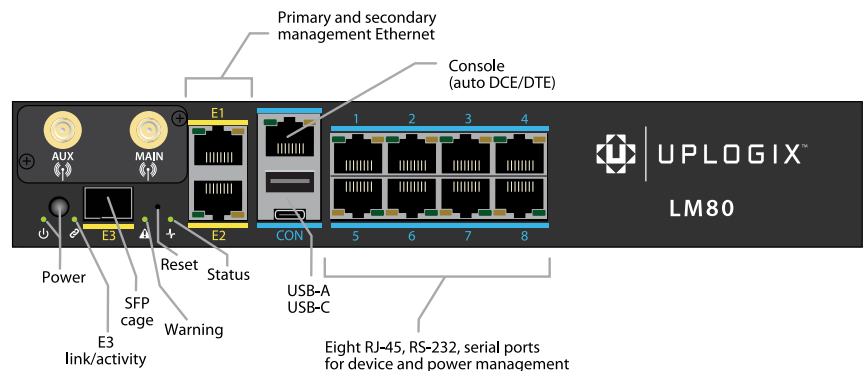
- ▶ Emissions: FCC class A, CE, TUV
- ▶ RoHS Compliant



Compact Advanced Out-of-Band Management for a Resilient Edge

The Uplogix LM80 is a compact platform designed to act independently from the network to remotely monitor, manage and control up to eight devices including a managed power supply.

Uplogix LM80 Up Close



About Uplogix

Uplogix is the only out-of-band solution that provides access, monitoring and control of network infrastructure that operates whether the network is up or down.

- ▶ **Secure** | Uplogix is a closed appliance, meaning the underlying OS is locked down. We work with your TACACS/Radius and have several options for secure connections.
- ▶ **Automated** | Detect, analyze and take data-driven runbook actions rapidly and automatically
- ▶ **Resilient** | If the primary network link goes down, Uplogix can fail-over site traffic to the out-of-band connection. With automated testing of out-of-band links and LM "heartbeats," Uplogix ensures out-of-band is available when you need it.
- ▶ **Compact** | Smaller version of the Uplogix LM83X is well-suited for deployments that have physical space limitations, or in non-racked environments.
- ▶ **Global Support** | 24x7x365 US-based support team consistently rated exceptional by Uplogix customers.



**Uplogix is created, coded and constructed
in Austin, Texas, USA**

Key Remote Management Features and Capabilities

Feature	Capability
Access	
Heterogeneous Device Access	Secure remote access and native support for any console-managed device
Secure Remote Access	Provides access via Secure Shell (SSHv2), integrates with remote authentication and accounting such as TACACS and Radius. Supports additional security features such as source address (IP and caller ID) filtering
Out-of-Band Connectivity with Network Failover	Options for POTS lines, cellular modems, fiber, DSL, and satellite. Supports dial-in/PPP dial-out (with VPN support) via optional external, Iridium modems. Out-of-band connection can be used for primary network failover. Customizable rules can change device configurations during failover and return to previous config when the primary network is available again.
In-depth Device Monitoring	Leverage serial connection to managed device to collect data, either in-band or out-of-band, on hundreds of performance variables every 5 to 30 seconds
Control	
Heterogeneous Device Management	Advanced driver support for remotely managing Cisco, Nortel, 3COM, Juniper, Alcatel, NetScreen, and Tasman routers, switches, and firewalls; TippingPoint intrusion prevention systems (IPS); Garmin GPS devices; Comtech, ND SatCom, and iDirect satellite modems; Iridium and GlobalStar external modems; Solaris, Linux and Windows servers (console port); APC, ServerTech, and Baytech power controllers
Robust Automation	Provides automation of routine management tasks through rule-based engine. Includes diagnosis of non-standard operational state based on configurable thresholds, and execution of recovery procedure to restore normal operational state. Can be used to restore a last known good configuration, diagnose and correct failures across multiple devices, and notify IT staff of the problem and recovery action taken.
Proactive Maintenance	Supports OS upgrade with verification and locally archives OS images with full rollback support. Power-On-Self-Test (POST) data and diagnosis data (e.g. – Cisco “show tech”). Enables password recovery for certain devices through combination of device boot and power management procedures
Remote Power Management	Monitors power utilization and controls power to remotely restart a managed device
Device Recovery with SurgicalRollback™	If a configuration change fails, immediately rolls the device back to the last known good configuration; supports full commit and rollback operations
Real-Time Log Inspection & Management	Collects and inspects device console data in real-time; Sends alarm or takes predefined recovery action based specific log messages to shorten MTTR
Service Level Verification	Uses synthetic transactions to regularly collect network- and application-specific performance data. Uplogix LMs locally correlate service-level data with infrastructure performance data to triangulate, pinpoint and correct service-related problems
Enforce	
FIPS 140-2 Level 2	Uplogix software is FIPS 140-2 certified. The hardware is in-process for FIPS 140-2 Level 2 certification.
Session Management	Automates session management to prevent unauthorized access
Granular Authorization	Ensures the right users have the right access by enforcing role-based, command-level authorization
Complete Logging	Audits all user access, device changes, and session activity for compliance

Ease of Use and Deployment

- ▶ Zero Touch Deployment – New, factory fresh Local Managers can now use DHCP and/or DNS to automatically find and register themselves with the Uplogix Control Center (UCC), allowing network engineers to easily provision them via the UCC, eliminating the need to stage configurations or send technical personal to remote sites for deployment purposes.
- ▶ Automatic Configuration of NTP and DNS Servers via DHCP – Uplogix will automatically set primary and secondary NTP and DNS servers per those delivered in a DHCP Offer if NTP and DNS servers are not already configured. Any NTP and DNS servers configured via the CLI or the UCC will override server information delivered via DHCP.
- ▶ Automatically Detect and Configure Internal Modems – Uplogix will automatically detect and configure an internal modem if one is present – this includes setting the modem make, model and serial bit rate for all internal modems. PPP settings will be automatically configured for the case of a cellular modem.



ABOUT UPLOGIX // Uplogix provides the industry's most evolved out-of-band management solution. Our co-located platform automates routine administration, maintenance and recovery tasks—securely and regardless of network availability. In comparison, traditional network and systems management depends on the network, uses multiple tools, and remains labor intensive. Uplogix takes you beyond out-of-band.

Uplogix is privately held and headquartered in Austin, Texas. For more information, please visit www.uplogix.com.

**Uplogix is the
most evolved
out-of-band solution
on the market**

CONTACT US

sales@uplogix.com
www.uplogix.com
877.857.7077

SYSTEM SPECIFICATIONS

- ▶ Management interfaces: Supports up to 56 devices via serial (RS-232); Two 10/100/1000 BaseT Ethernet interfaces (with failover support) and one RS-232 console port; One 1-Gbps SFP port
- ▶ On-board storage: 256GB NVMe supporting TCG Opal 2.0, 256-bit AES encryption
- ▶ Peripheral connectivity: One USB-A port, one USB-C port
- ▶ One option slot (RS232; V.92, cellular, and fiber cards available)
- ▶ Three expansion slots for 8-Port and 16-Port Serial cards; 8-Port Ethernet card (10/100/1000 Mbps; LCD keypad)

Dimensions and Weight

- ▶ Height, Width and Depth: 43.2 mm (1.7 in.) x 445 mm (17.5 in.) x 264 mm (10.4 in.); 1 rack unit (1RU)
- ▶ Weight: 3.72 kg (8.2 lbs.)

Operating Environment

- ▶ Power Supply: Redundant internal universal power (100-240 VAC) 50/60 Hz, 60 W
- ▶ Operating: 0° C to 45° C (32° F to 113° F) at mean sea level, 20% to 80% relative humidity, non-condensing
- ▶ Non-operating: -30° C to 60° C (-22° F to 140° F) at mean sea level, 90% relative humidity, non-condensing

Regulatory

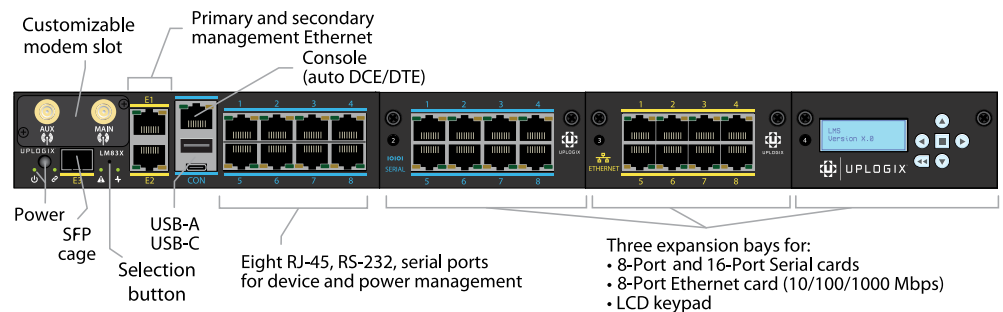
- ▶ Emissions: FCC class A sub part B
- ▶ Safety: TUV
- ▶ RoHS compliant



Advanced Out-of-Band Management for Enterprise Scalability & Performance

The Uplogix LM83X is a modular platform designed to act independently from the network to remotely monitor, manage and control up to 56 devices including a managed power supply.

Uplogix LM83X Up Close



About Uplogix

Uplogix is the only out-of-band solution that provides access, monitoring and control of network infrastructure that operates whether the network is up *or down*.

- ▶ **Secure** | Uplogix is a closed appliance, meaning the underlying OS is locked down. We work with your TACACS/Radius and have several options for secure connections.
- ▶ **Automated** | Detect, analyze and take data-driven runbook actions rapidly and automatically
- ▶ **Resilient** | If the primary network link goes down, Uplogix can fail-over site traffic to the out-of-band connection. With automated testing of out-of-band links and LM "heartbeats," Uplogix ensures out-of-band is available when you need it.
- ▶ **Scalable** | Three expansion bays let you customize your LM83X with up to 56 serial ports, or a combination of serial and dedicated Ethernet ports. An LCD keypad is also available.
- ▶ **Global Support** | 24x7x365 US-based support team consistently rated exceptional by Uplogix customers.



**Uplogix is created, coded and constructed
in Austin, Texas, USA**

Key Local Management Features and Capabilities

Feature	Capability
Access	
Heterogeneous Device Access	Secure remote access and native support for any console-managed device
Secure Remote Access	Provides access via Secure Shell (SSHv2), integrates with remote authentication and accounting such as TACACS and Radius. Supports additional security features such as source address (IP and caller ID) filtering
Out-of-Band Connectivity with WAN Traffic Failover	Options for POTS lines, cellular modems, fiber, DSL, and satellite. Supports dial-in/ PPP dial-out (with VPN support) via optional embedded, Iridium or GlobalStar modems. With the loss of the primary WAN connection, Uplogix can provide a tethered WAN traffic failover option by sharing its cellular out-of-band connection with the local router
In-depth Device Monitoring	Leverage serial connection to managed device to collect data, either in-band or out-of-band, on hundreds of performance variables every 5 to 30 seconds
Environmental Monitoring	Collects and reports device environmental data for temperature and humidity to be used to trending and root cause analysis
KVM over Service Processor	Enables local access and control to a remote server (i.e. provisioning, monitoring, troubleshooting, restricting access) without having to deploy external KVM appliances; functions independent of the availability of server's operating system or the primary network connection
Remote Web Access	Offers secure access to remote devices with web-only management interfaces without requiring additional overhead to manage
Control	
Heterogeneous Device Management	Advanced driver support for remotely managing Cisco, Nortel, 3COM, Juniper, Alcatel, NetScreen, and Tasman routers, switches, and firewalls; TippingPoint intrusion prevention systems (IPS); Garmin GPS devices; Comtech, ND SatCom, and iDirect satellite modems; Iridium and GlobalStar external data modems; Solaris, Linux and Windows servers (console port); Sun, Dell, IBM, HP servers (service processor port); APC, ServerTech, and Baytech power controllers.
Robust Automation	Provides automation of routine management tasks through rule-based engine. Includes diagnosis of non-standard operational state based on configurable thresholds, and execution of recovery procedure to restore normal operational state. Can be used to restore a last known good configuration, diagnose and correct failures across multiple devices, and notify IT staff of the problem and recovery action taken.
Proactive Maintenance	Supports OS upgrade with verification and locally archives OS images with full rollback support. Power-On-Self-Test (POST) data and diagnosis data (e.g. – Cisco "show tech"). Enables password recovery for certain devices through combination of device boot and power management procedures
Remote Power Management	Monitors power utilization and controls power to remotely restart a managed device
Device Recovery with SurgicalRollback™	If a configuration change fails, immediately rolls the device back to the last known good configuration; supports full commit and rollback operations
Real-Time Log Inspection & Management	Collects and inspects device console data in real-time; Sends alarm or takes predefined recovery action based specific log messages to shorten MTTR
Service Level Verification	Uses synthetic transactions to regularly collect network- and application-specific performance data. Uplogix LMs locally correlate service-level data with infrastructure performance data to triangulate, pinpoint and correct service-related problems
Service Processor Automation	Provides the ability to remotely monitor, manage, diagnose and recover servers, even if operating system has hung or the server is powered down
Enforce	
FIPS 140-2 Level 2	Uplogix software is FIPS 140-2 certified. The hardware is in-process for FIPS 140-2 Level 2 certification.
Session Management	Automates session management to prevent unauthorized access
Granular Authorization	Ensures the right users have the right access by enforcing role-based, command-level authorization
Complete Logging	Audits all user access, device changes, and session activity for compliance

Ease of Use and Deployment

- ▶ Zero Touch Deployment – New, factory fresh Local Managers can now use DHCP and/ or DNS to automatically find and register themselves with the Uplogix Control Center (UCC), allowing network engineers to easily provision them via the UCC, eliminating the need to stage configurations or send technical personal to remote sites for deployment purposes.
- ▶ Automatic Configuration of NTP and DNS Servers via DHCP – The Uplogix Local Manager will automatically set primary and secondary NTP and DNS servers per those delivered in a DHCP Offer if NTP and DNS servers are not already configured. Any NTP and DNS servers configured via the CLI or the UCC will override server information delivered via DHCP.
- ▶ Automatically Detect and Configure Internal Modems – Uplogix will automatically detect and configure an internal modem if one is present – this includes setting the modem make, model and serial bit rate for all internal modems. PPP settings will be automatically configured for the case of a cellular modem.

ABOUT UPLOGIX // Uplogix provides the industry's most evolved out-of-band management solution. Our co-located platform automates routine administration, maintenance and recovery tasks—securely and regardless of network availability. In comparison, traditional network and systems management depends on the network, uses multiple tools, and remains labor intensive. Uplogix takes you beyond out-of-band.

Uplogix is privately held and headquartered in Austin, Texas. For more information, please visit www.uplogix.com.

